

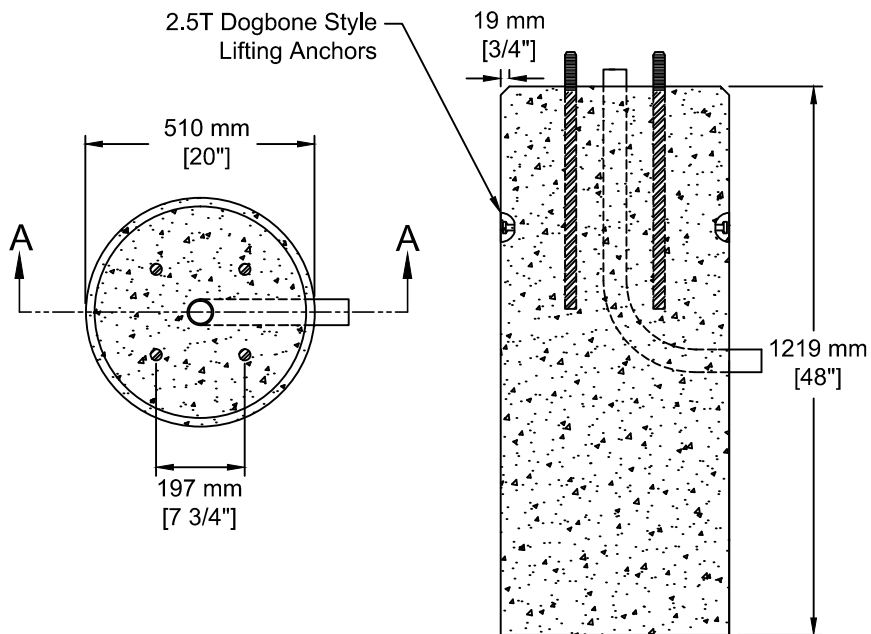
INSTALLATION INFORMATION

2 - 2.5T DOGBONE STYLE LIFTING ANCHORS

CONDUIT - AS REQUIRED

BOLT PATTERN - AS REQUIRED

WEIGHT: 1206 LBS / 547 KG



TEL: 250-495-7556
 socp@socp.ca
 www.socp.ca

**1.2m (4') Round
 Concrete Base**

**Product #
 0934-20**