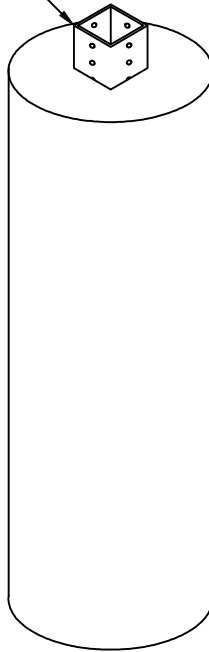
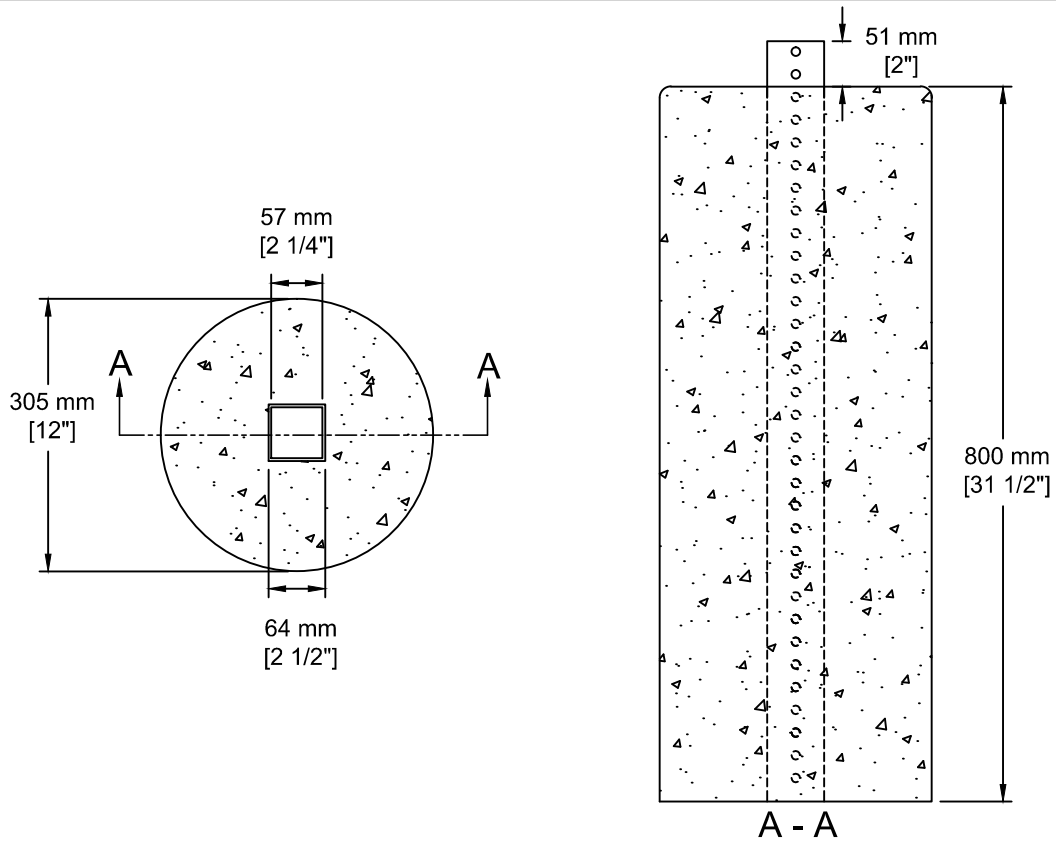


64 mm [2 1/2"] O/D
Telespar Sleeve



INSTALLATION INFORMATION
WEIGHT: 314 LBS / 142 KG



TEL: 250-495-7556
socp@socp.ca
www.socp.ca

Type II Concrete Sign Base

Product #
0912