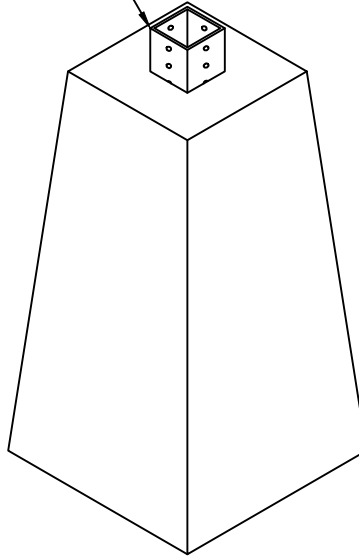


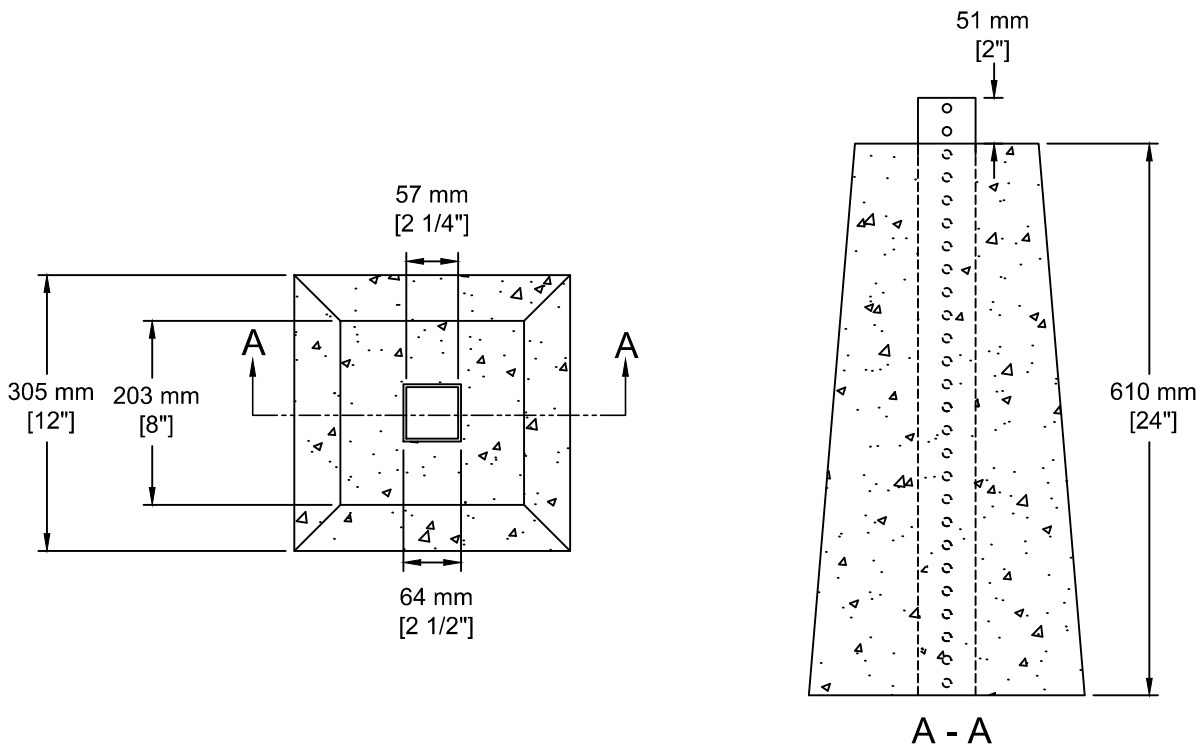
64 mm [2 1/2"] O/D  
Telespar Sleeve



**INSTALLATION INFORMATION**

TS-89001-7A

WEIGHT: 220 LBS / 100 KG



TEL: 250-495-7556  
socp@socp.ca  
www.socp.ca

Concrete Sign Base  
TS-89001-7A

Product #

0904