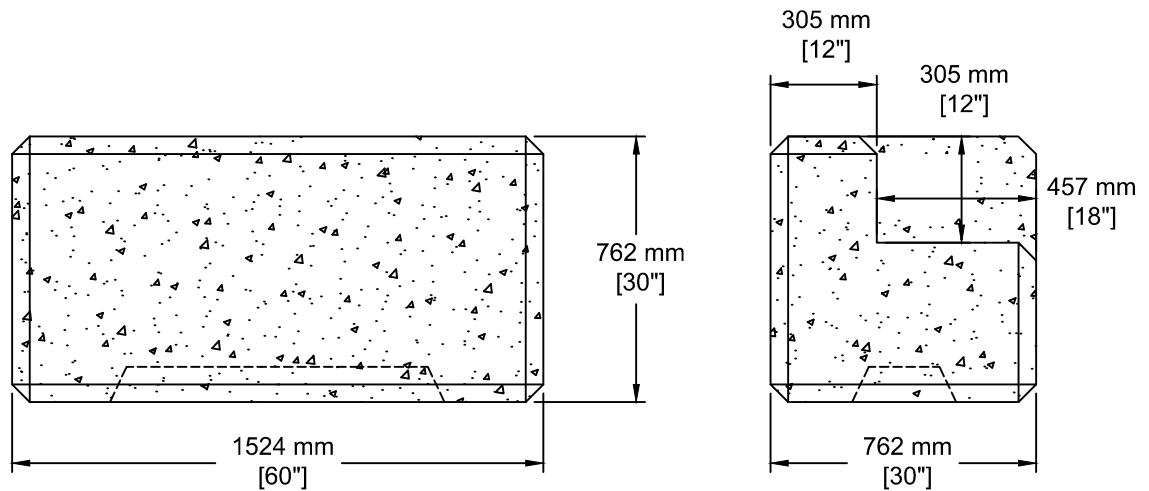


INSTALLATION INFORMATION
 /C 1 - STEEL CABLE LOOP FOR LIFTING
 WEIGHT: 3100 LBS / 1406 KG



TEL: 250-495-7556
 socp@socp.ca
 www.socp.ca

**Left Corner Bench Precast
 Modular Block**

**Product #
 0888-L**