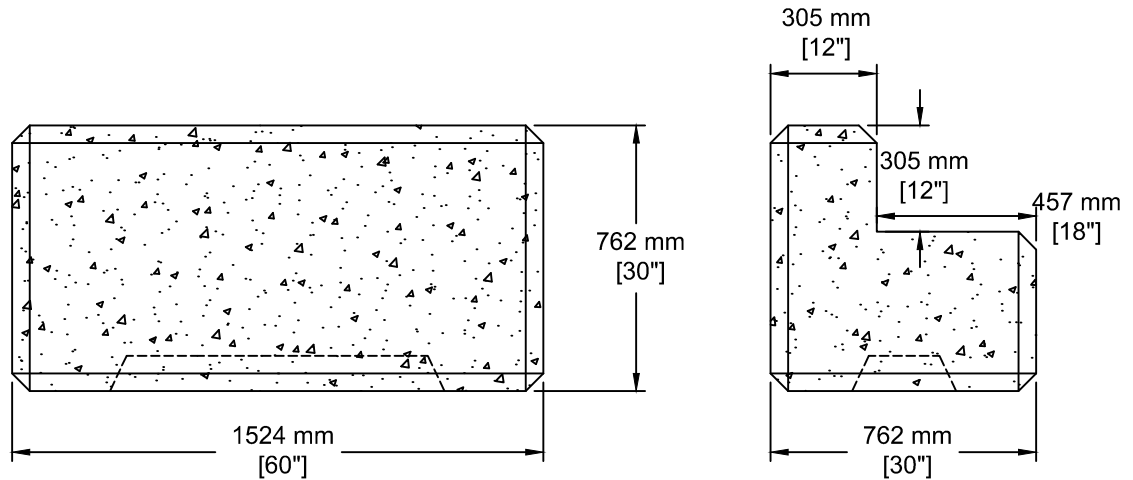


**INSTALLATION INFORMATION**  
 /C 1 - STEEL CABLE LOOP FOR LIFTING  
 WEIGHT: 3100 LBS / 1406 KG



TEL: 250-495-7556  
 socp@socp.ca  
 www.socp.ca

Box 419, 11602 - 115 st Osoyoos, BC V0H 1V0

FAX: 250-495-3556

**Bench Precast  
 Modular Block**

**Product #**

**0886**