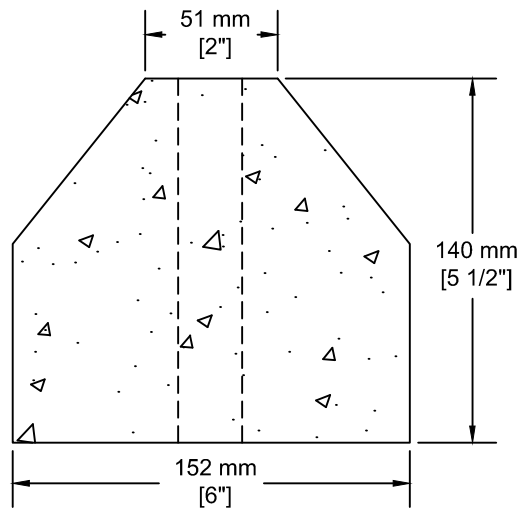


INSTALLATION INFORMATION
 /C 2 - ANCHOR PINS
 WEIGHT: 164 LBS / 75 KG



SOC
 SOUTH OKANAGAN
 CONCRETE PRODUCTS LTD

TEL: 250-495-7556
 socp@socp.ca
 www.socp.ca

Box 419, 11602 - 115 st Osoyoos, BC V0H 1V0 FAX: 250-495-3556

**Parking Curb
 /c Anchor Pins**

**Product #
 0756**