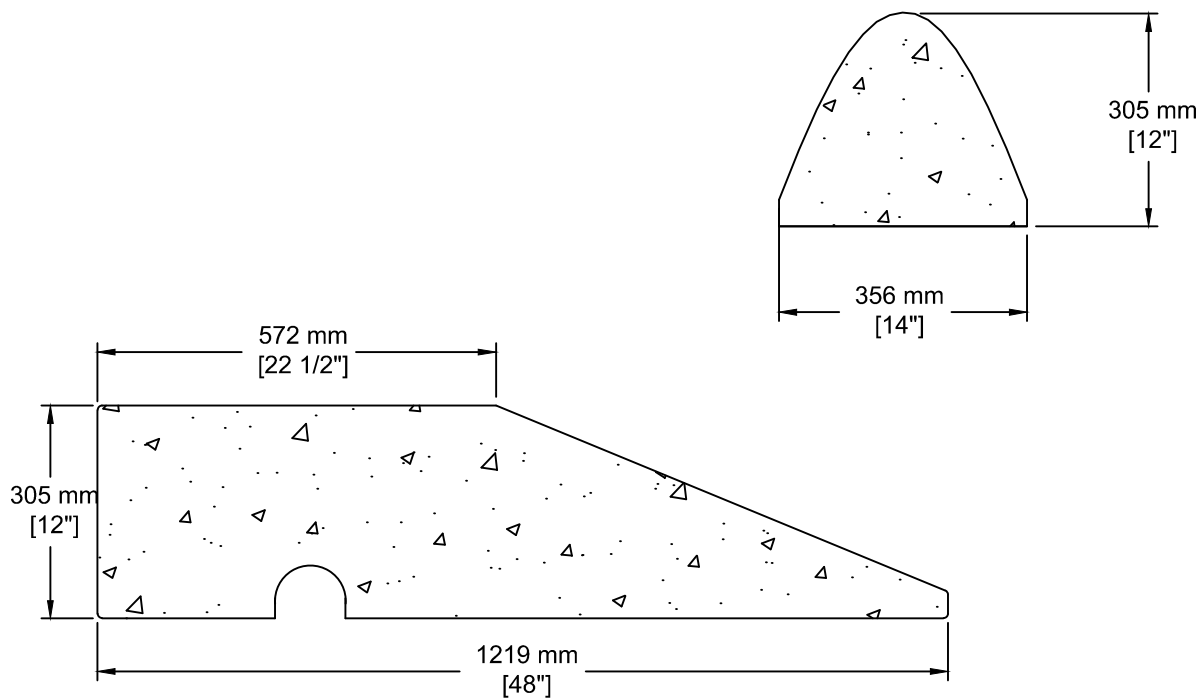


INSTALLATION INFORMATION
WEIGHT: 386 LBS / 175 KG



SOUTH OKANAGAN
CONCRETE PRODUCTS LTD

TEL: 250-495-7556
socp@socp.ca
www.socp.ca

305 mm (12") Bullnose
/c Weeps

Product #

0749