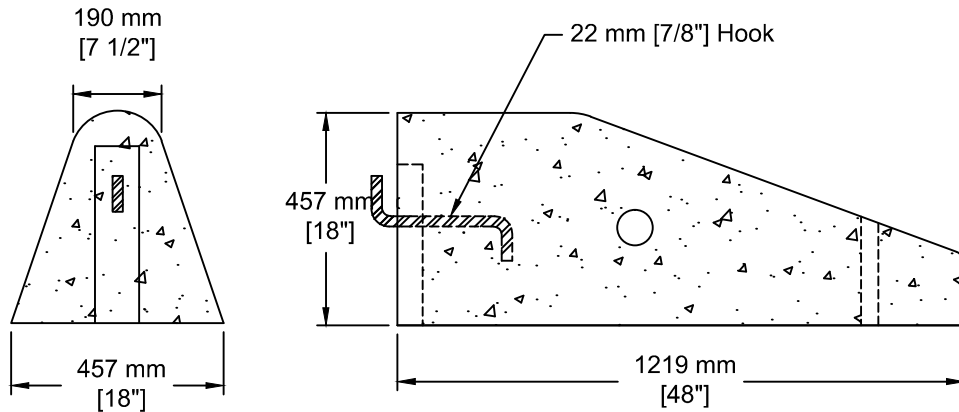


INSTALLATION INFORMATION

1 - 22 MM [7/8"] HOOK

WEIGHT: 650 LBS / 295 KG



**SOUTH OKANAGAN
CONCRETE PRODUCTS LTD**

TEL: 250-495-7556

socp@socp.ca

www.socp.ca

**CLB-1H 460 Bullnose
/c Hook**

Product #

0738