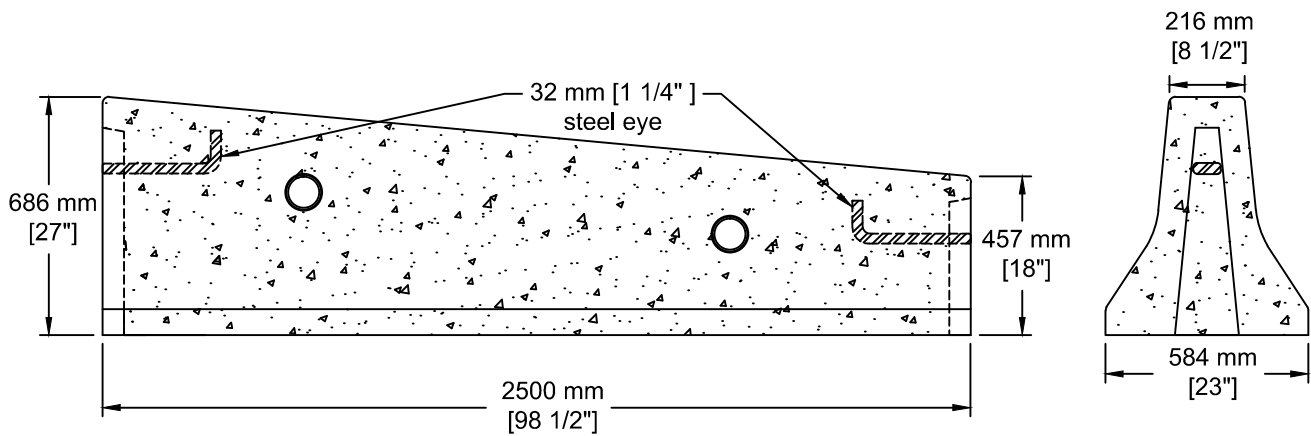


INSTALLATION INFORMATION

2 - 32 MM [1 1/4"] EYES

WEIGHT: 2660 LBS / 1208 KG




**SOUTH OKANAGAN
CONCRETE PRODUCTS LTD**
 TEL: 250-495-7556
 socp@socp.ca
 www.socp.ca
 Box 419, 11602 - 115 st Osoyoos, BC V0H 1V0 FAX: 250-495-3556

CTB-1E 690 to 460
Transition Barrier - Eye

Product #
0735