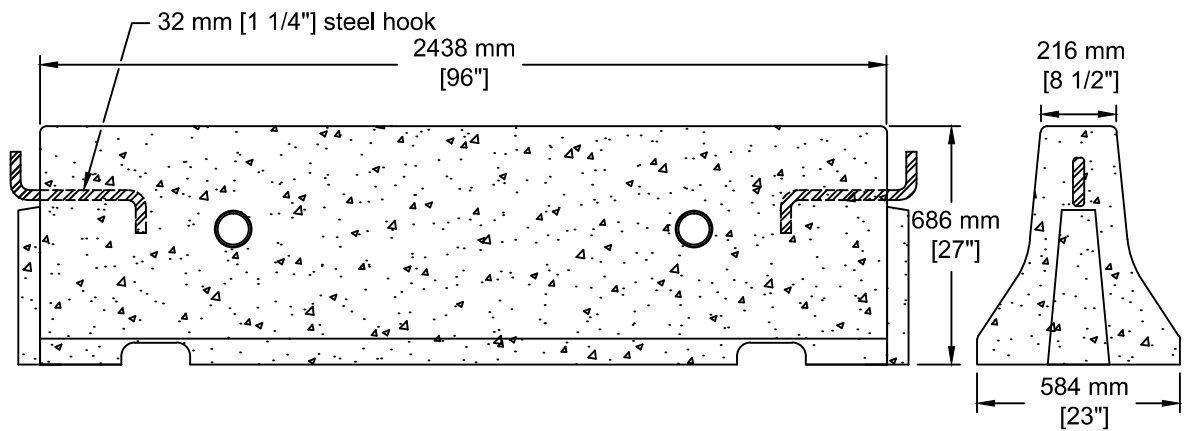


INSTALLATION INFORMATION
 2 - 32 MM [1 1/4"] HOOKS
 WEIGHT: 2660 LBS / 1208 KG



TEL: 250-495-7556
 socp@socp.ca
 www.socp.ca

**CRB-H 690 Roadside Barrier
 Hook /c Weeps**

**Product #
 0725WH**