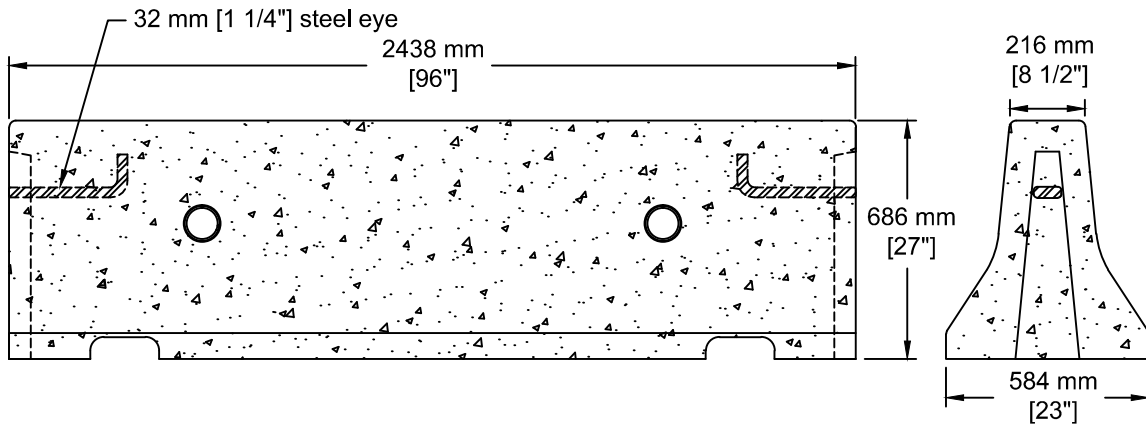


**INSTALLATION INFORMATION**

2 - 32 MM [1 1/4"] EYES

WEIGHT: 2660 LBS / 1208 KG



**SOUTH OKANAGAN  
CONCRETE PRODUCTS LTD**

TEL: 250-495-7556

socp@socp.ca

www.socp.ca

**CRB-E 690 Roadside Barrier  
Eye /c Weeps**

Product #

**0720WH**