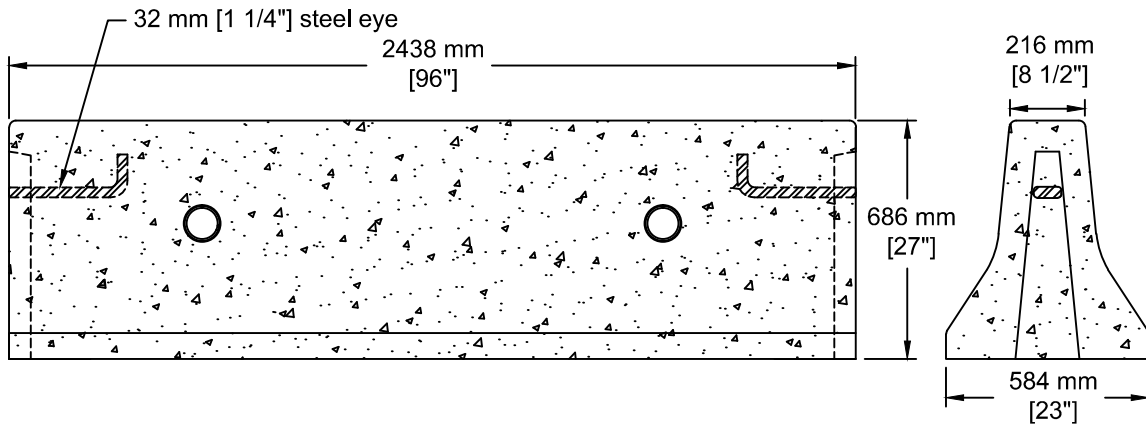


INSTALLATION INFORMATION
 2 - 32 MM [1 1/4"] EYES
 WEIGHT: 2660 LBS / 1208 KG



TEL: 250-495-7556
 socp@socp.ca
 www.socp.ca

**CRB-E 690 Roadside Barrier
 Eye - No Weeps**

Product #

0720