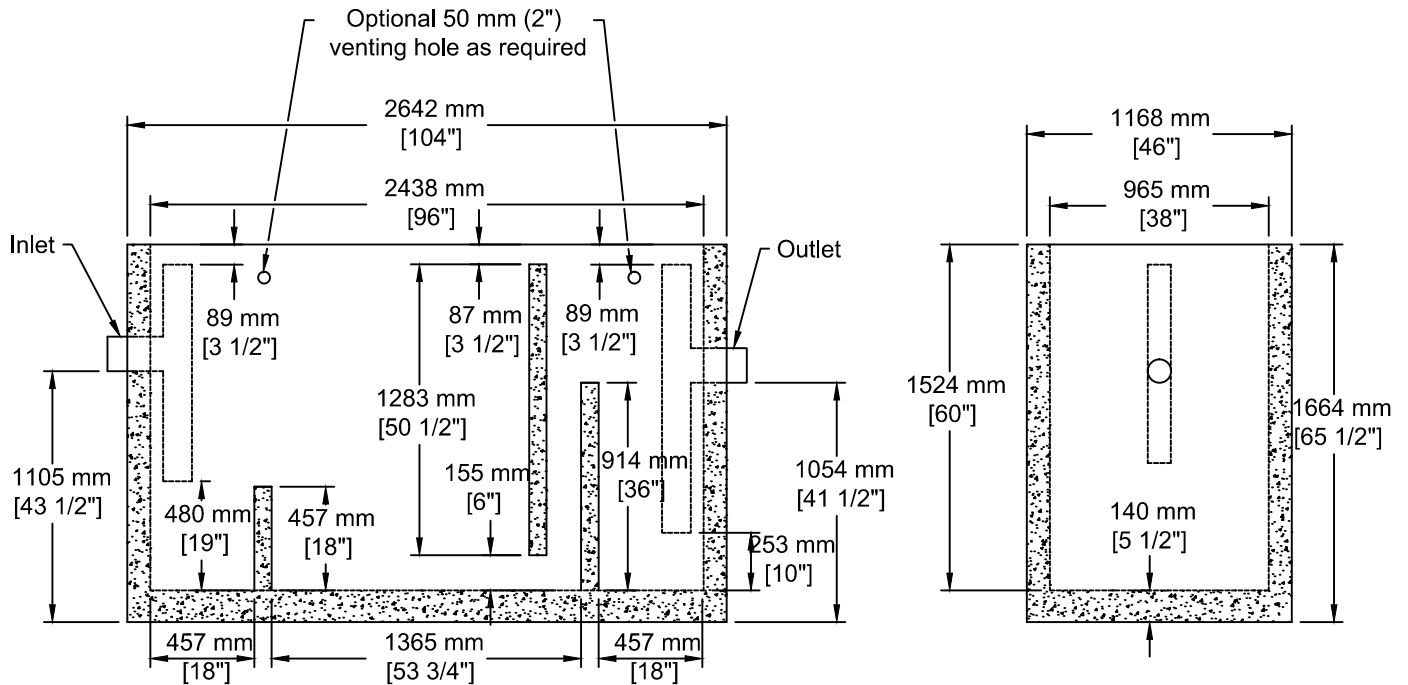


**INSTALLATION INFORMATION**

TANK - SPREADER BAR & CABLES FOR HANDLING  
 LID C/ 4 - 3/8" R-ANCHORS FOR HANDLING  
 GASKET: CONSEAL BUTYL SEALANT  
 WEIGHT: LBS / KG (LID)  
 WEIGHT: LBS / KG (TANK)



TEL: 250-495-7556  
 socp@socp.ca  
 www.socp.ca

Box 419, 11602 - 115 st Osoyoos, BC V0H 1V0

FAX: 250-495-3556

2000 litre (440 gal)  
 API OWS

Product #  
 0564