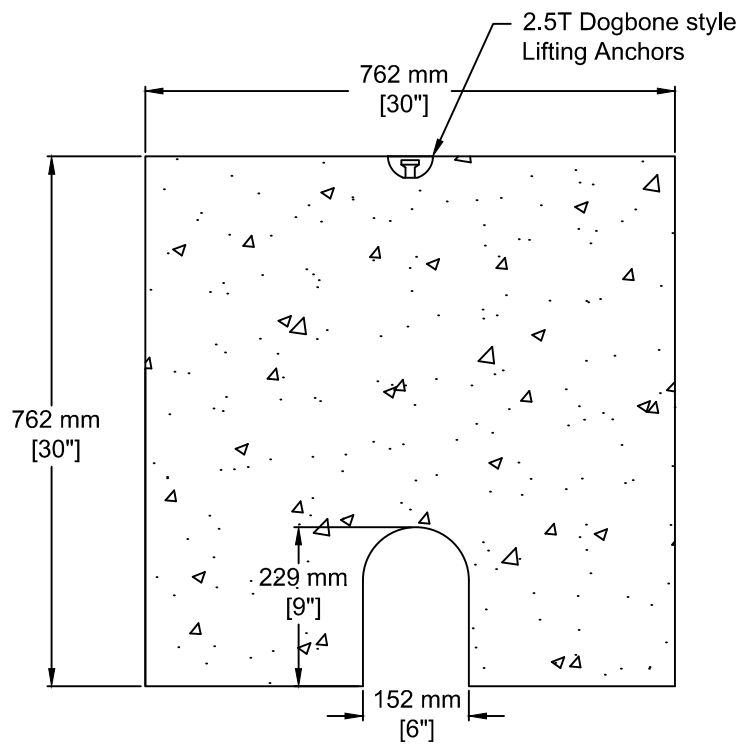


INSTALLATION INFORMATION

1 - 2.5T DOGBONE STYLE LIFTING ANCHOR

WEIGHT: 767 LBS 348 KG



TEL: 250-495-7556
 socp@socp.ca
 www.socp.ca

Box 419, 11602 - 115 st Osoyoos, BC V0H 1V0

FAX: 250-495-3556

Thrust Block - U Void -
 762 mm x 762 mm x 228 mm
 (30"x30"x9")

Product #

0517-U