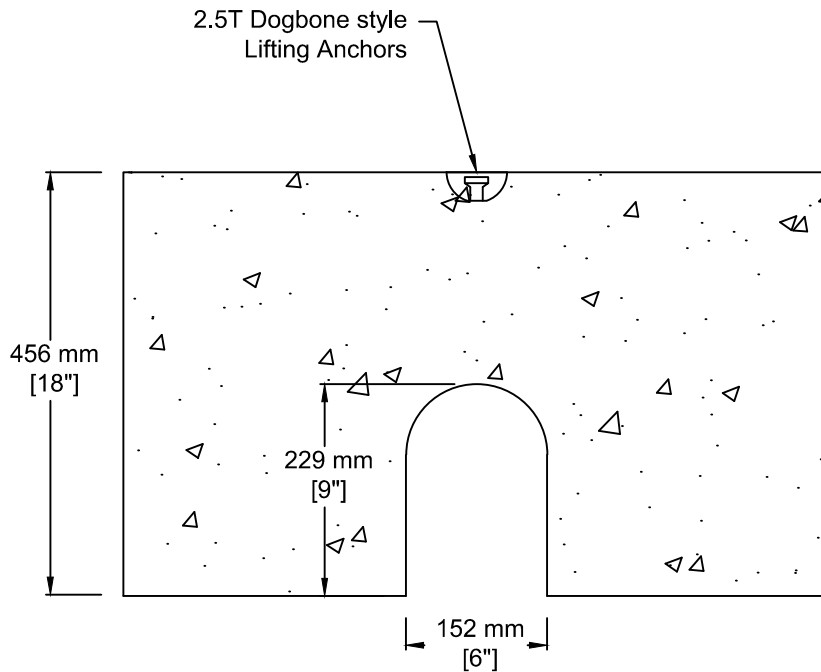


**INSTALLATION INFORMATION**

1 - 2.5T DOGBONE STYLE LIFTING ANCHOR  
 WEIGHT: 357 LBS 162 KG



TEL: 250-495-7556  
 socp@socp.ca  
 www.socp.ca

Box 419, 11602 - 115 st Osoyoos, BC V0H 1V0

FAX: 250-495-3556

Thrust Block - U Void -  
 457 mm x 762 mm x 228 mm  
 (18"x30"x9")

Product #

**0515-U**