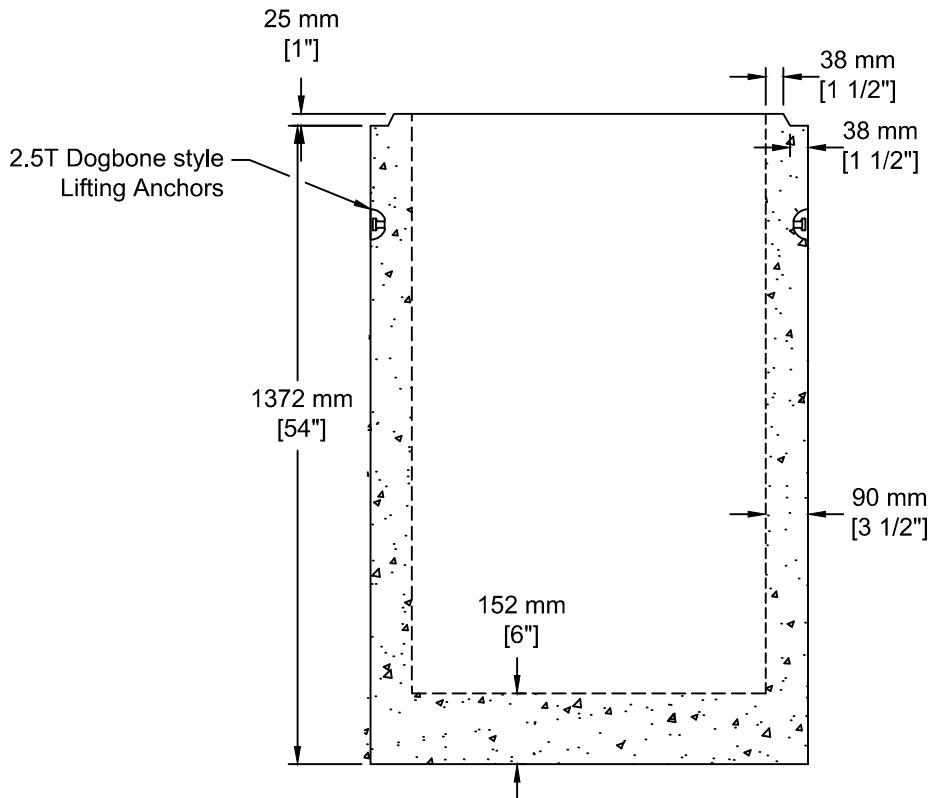


INSTALLATION INFORMATION
 2 - 2.5T DOGBONE STYLE LIFTING ANCHORS
 WEIGHT: 1913 LBS / 868 KG



TEL: 250-495-7556
 socp@socp.ca
 www.socp.ca

**750 ID (30") x 1.37vm
 Catch Basin - B c/w Base**

**Product #
 0464-B**