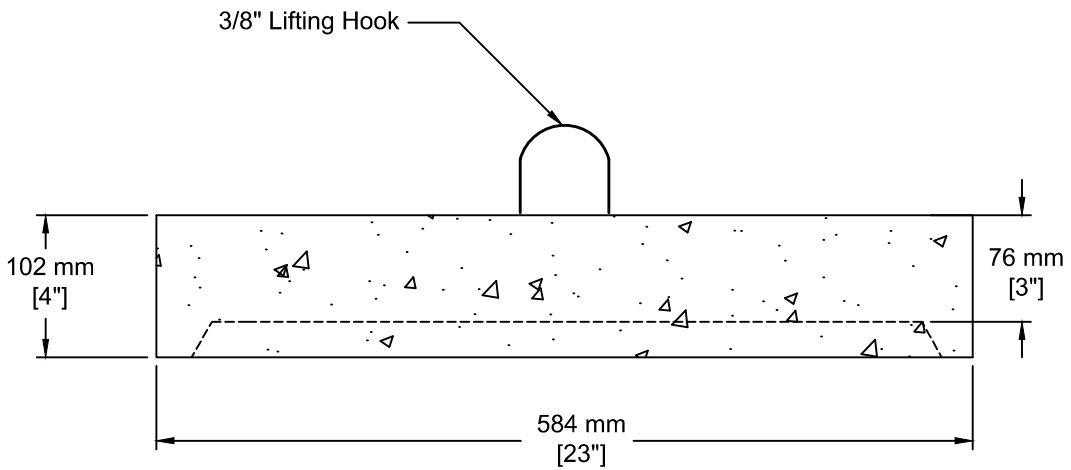


INSTALLATION INFORMATION
1 - 10 MM [3/8"] LIFTING HOOK
WEIGHT: 232 LBS / 106 KG



TEL: 250-495-7556
socp@socp.ca
www.socp.ca

450 Catch Basin Lid - Solid

Product #
0447