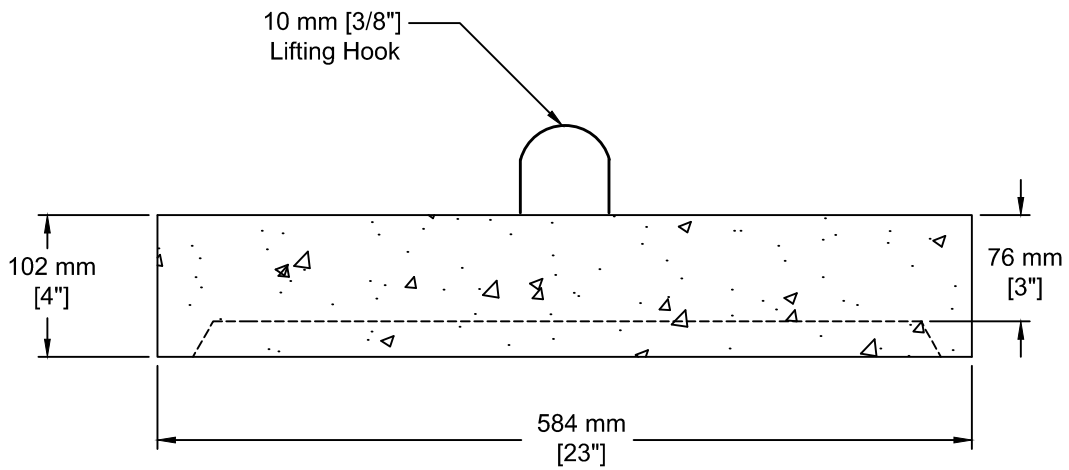


INSTALLATION INFORMATION

1 - 3/8" LIFTING HOOK

WEIGHT: 116 LBS / 219 KG



TEL: 250-495-7556

socp@socp.ca

www.socp.ca

450 Catch Basin Lid - Solid

Product #

0445