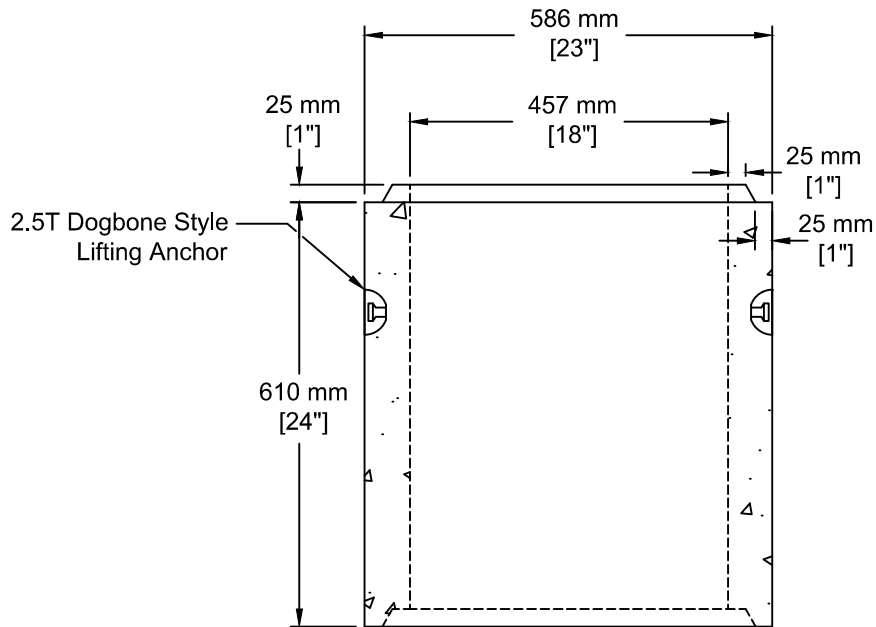


INSTALLATION INFORMATION

2 - 2.5T DOGBONE STYLE LIFTING ANCHORS

WEIGHT: 322 LBS / 146 KG



**SOUTH OKANAGAN
CONCRETE PRODUCTS LTD**

TEL: 250-495-7556

socp@socp.ca

www.socp.ca

450 Catch Basin Riser x .61vm

Product #

0442