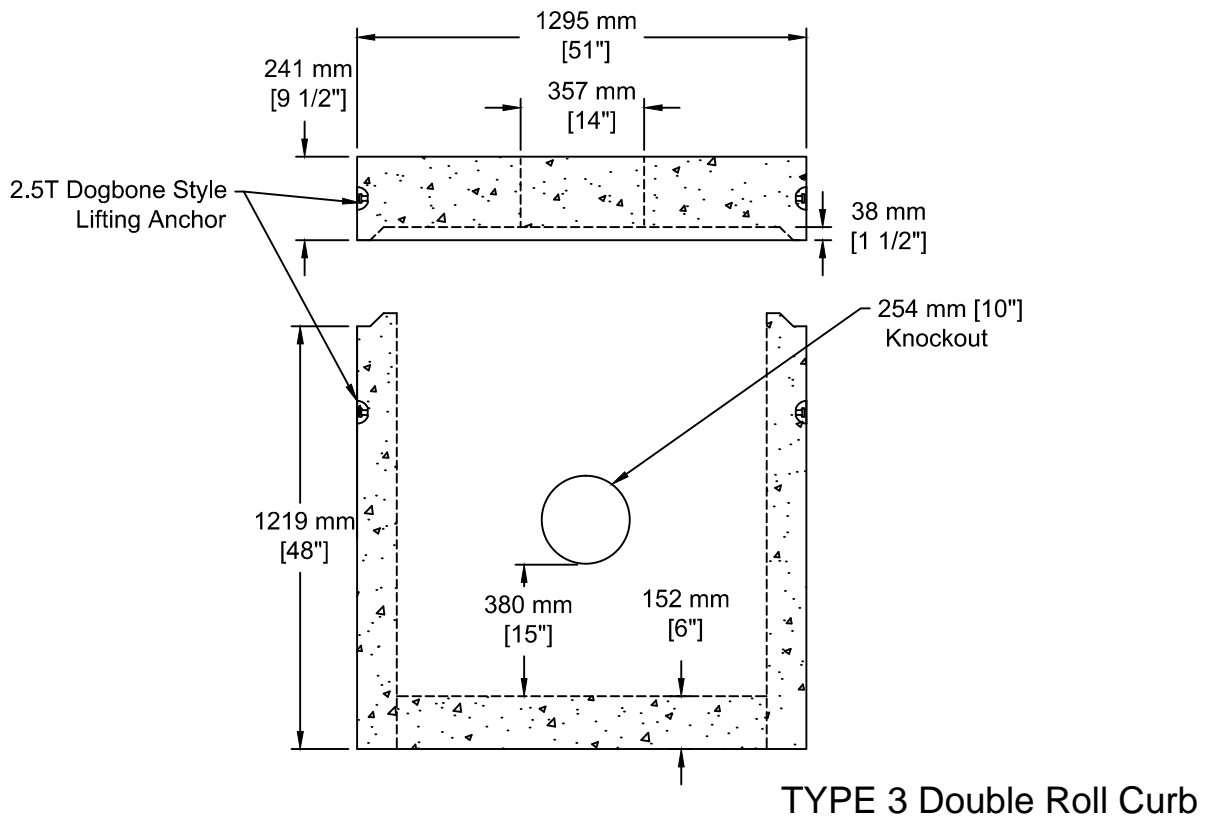


INSTALLATION INFORMATION
 DESIGN SPECIFICATION - ASTM C478
 2 - 2.5T DOGBONE STYLE LIFTING ANCHORS
 WEIGHT: 3711 LBS / 1683 KG



SOCPC
 SOUTH OKANAGAN
 CONCRETE PRODUCTS LTD
 Box 419, 11602 - 115 st Osoyoos, BC V0H 1V0
 TEL: 250-495-7556
 socp@socp.ca
 www.socp.ca
 FAX: 250-495-3556

**1050 ID (42") Catch Basin
 c/w Lid**

**Product #
 0438**