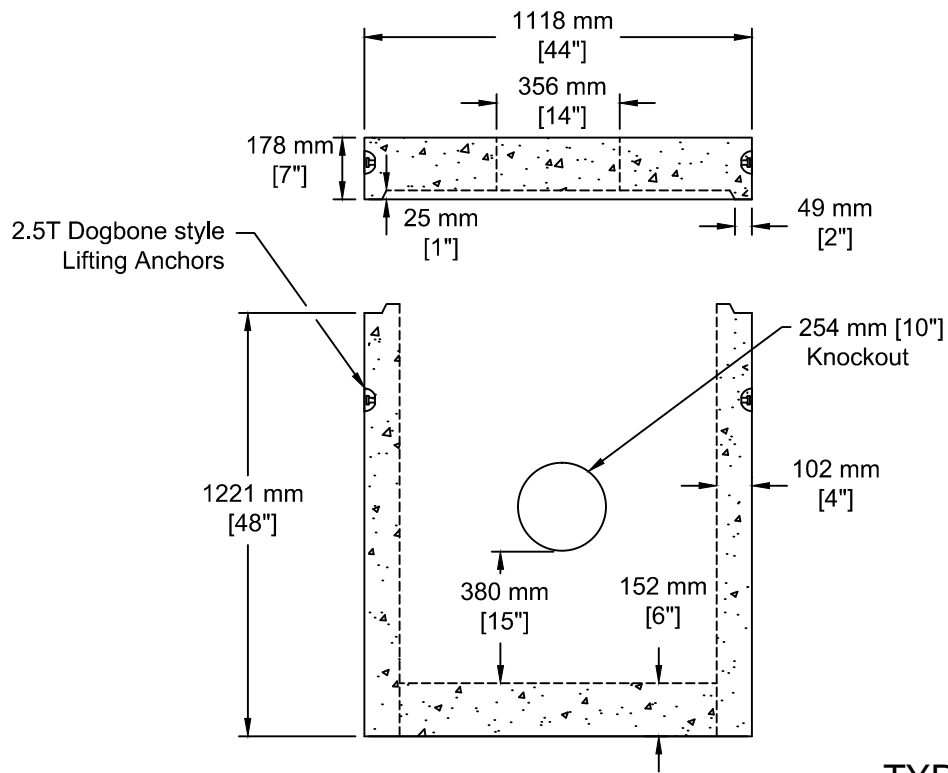


INSTALLATION INFORMATION
 DESIGN SPECIFICATION - ASTM C478
 2 - 2.5T DOGBONE STYLE LIFTING ANCHORS
 WEIGHT: 2349 LBS / 1065 KG



TYPE 3 Roll Curb



TEL: 250-495-7556
 socp@socp.ca
 www.socp.ca

900 ID (36") Catch Basin
 c/w Lid

Product #
0437