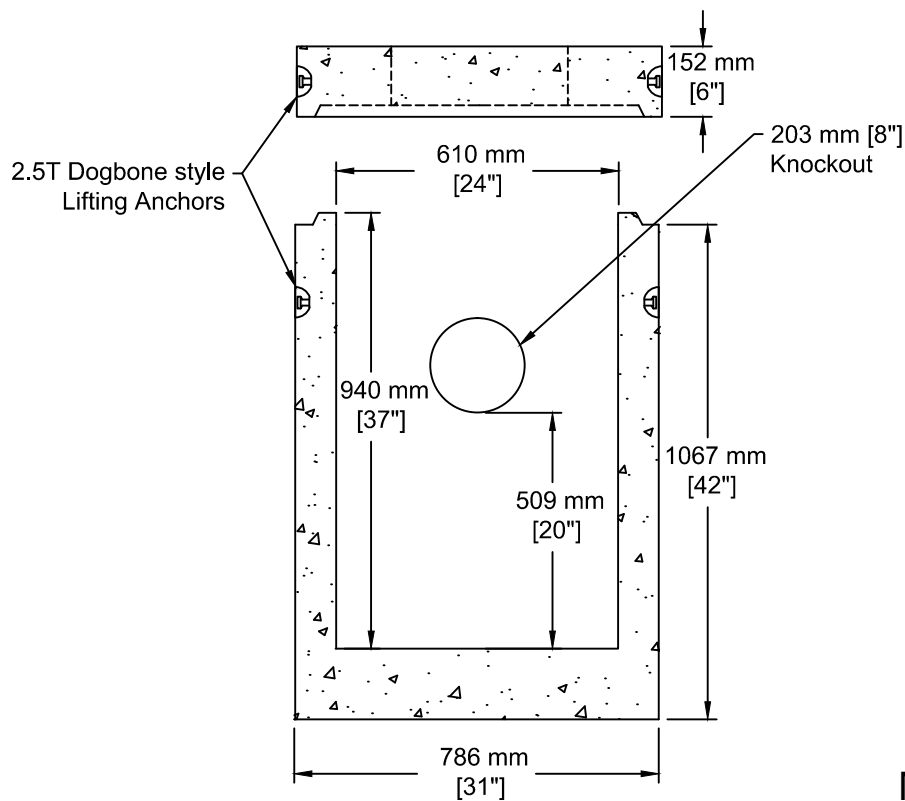


INSTALLATION INFORMATION

2 - 2.5T DOGBONE STYLE LIFTING ANCHORS
 LID OPENING TO ACCOMMODATE - B-37 F&G
 WEIGHT: 1696 LBS / 769 KG



MMCD Spec

**600 ID (24") Catch Basin
 c/w Lid**

Product #

0430



TEL: 250-495-7556
 socp@socp.ca
 www.socp.ca

SOUTH OKANAGAN
 CONCRETE PRODUCTS LTD

Box 419, 11602 - 115 st Osoyoos, BC V0H 1V0

FAX: 250-495-3556