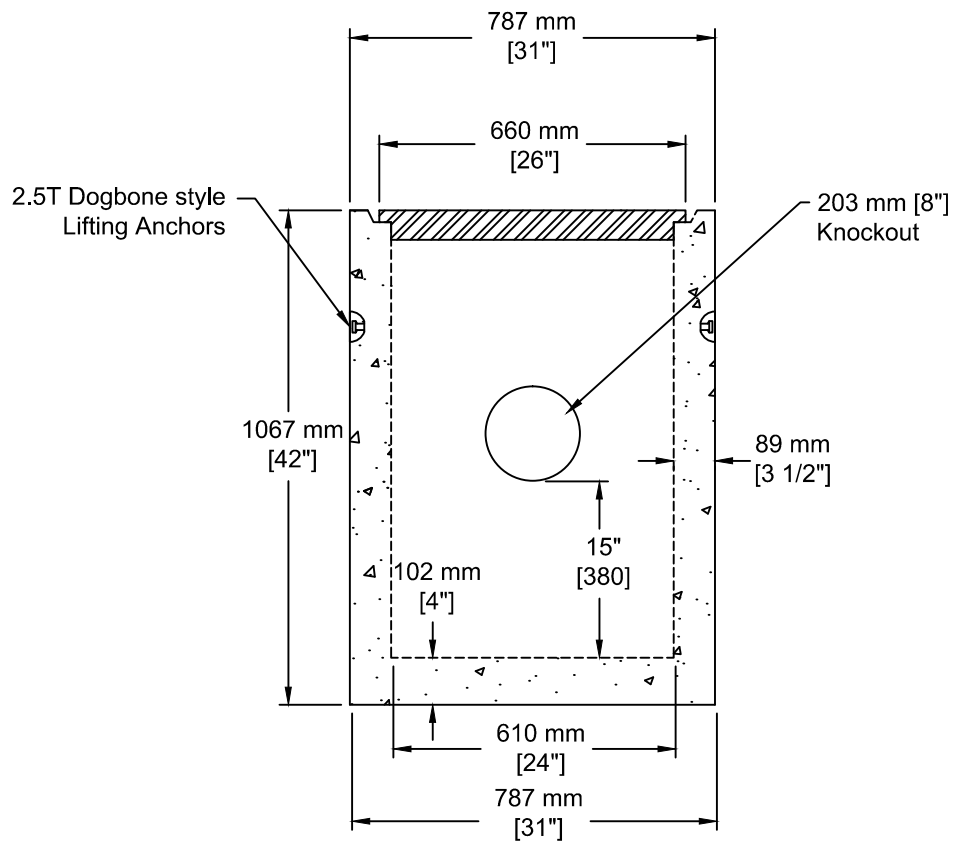


INSTALLATION INFORMATION

2 - 2.5T DOGBONE STYLE LIFTING ANCHORS

1 - B-22A GRATE

WEIGHT: 1600 LBS / 725 KG



**600 ID (24") x 1.4vm
Lawn Basin c/w B22A Grate**

Product #

0426



TEL: 250-495-7556
socp@socp.ca
www.socp.ca

**SOUTH OKANAGAN
CONCRETE PRODUCTS LTD**

Box 419, 11602 - 115 st Osoyoos, BC V0H 1V0

FAX: 250-495-3556