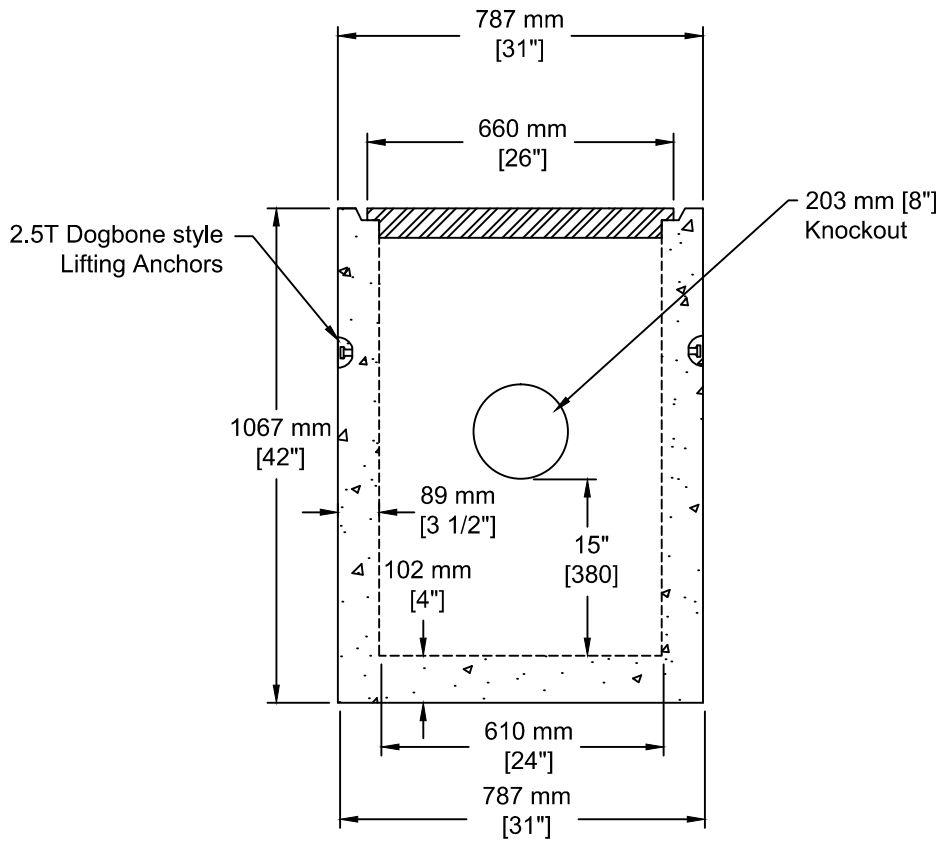


INSTALLATION INFORMATION

2 - 2.5T DOGBONE STYLE LIFTING ANCHORS

1 - B-22A GRATE

WEIGHT: 1444 LBS / 655 KG



TEL: 250-495-7556

socp@socp.ca

www.socp.ca

SOUTH OKANAGAN
CONCRETE PRODUCTS LTD

Box 419, 11602 - 115 st Osoyoos, BC V0H 1V0

FAX: 250-495-3556

600 ID (24") x 1.07vm
Lawn Basin c/w B22A Grate

Product #

0425