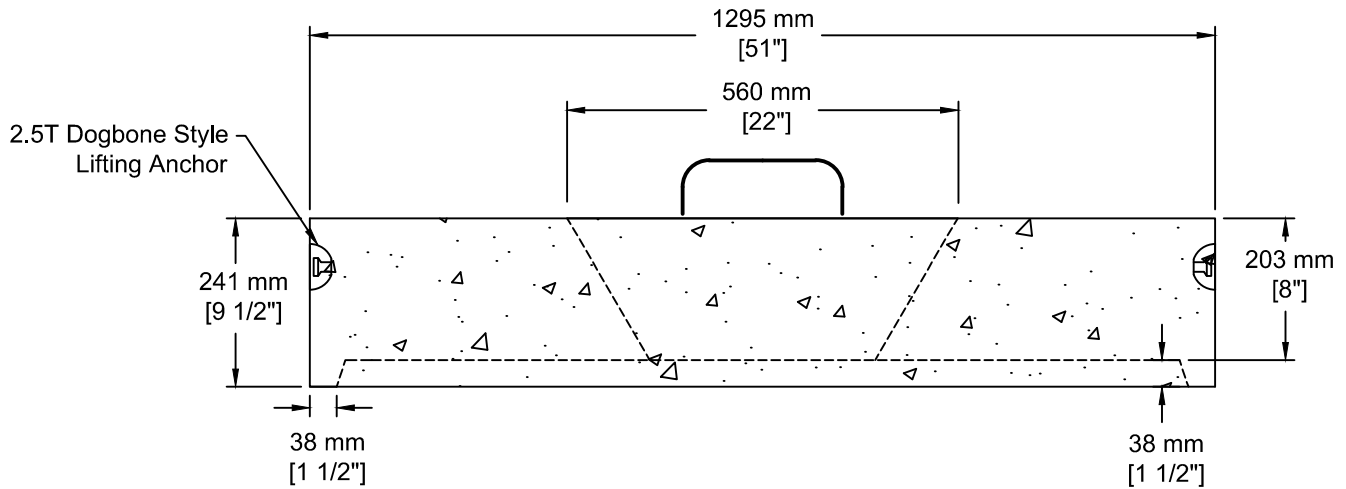


INSTALLATION INFORMATION

3 - 2.5T DOGBONE STYLE LIFTING ANCHORS

WEIGHT: 1506 LBS / 682 KG



TEL: 250-495-7556
socp@socp.ca
www.socp.ca

1050 ID (42") Manhole Lid
- MHP c/w Manhole Plug

Product #
0329-8