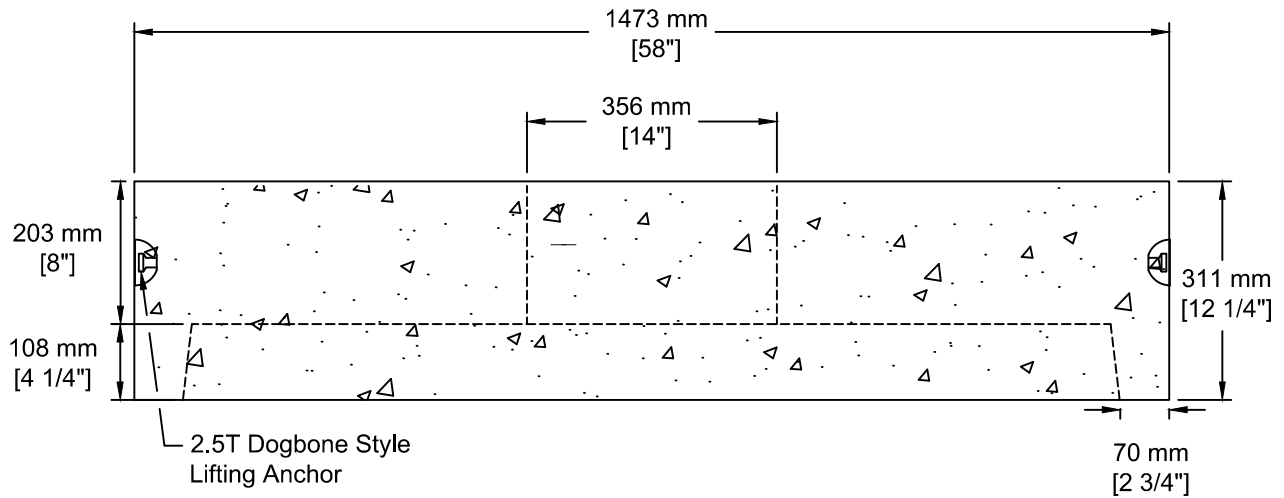


INSTALLATION INFORMATION

3 - 2.5T DOGBONE STYLE LIFTING ANCHORS

WEIGHT: 1632 LBS / 740 KG



TEL: 250-495-7556
 socp@socp.ca
 www.socp.ca

**1200 ID (48")
 Drywell Lid - B19**

**Product #
 0267-B19**