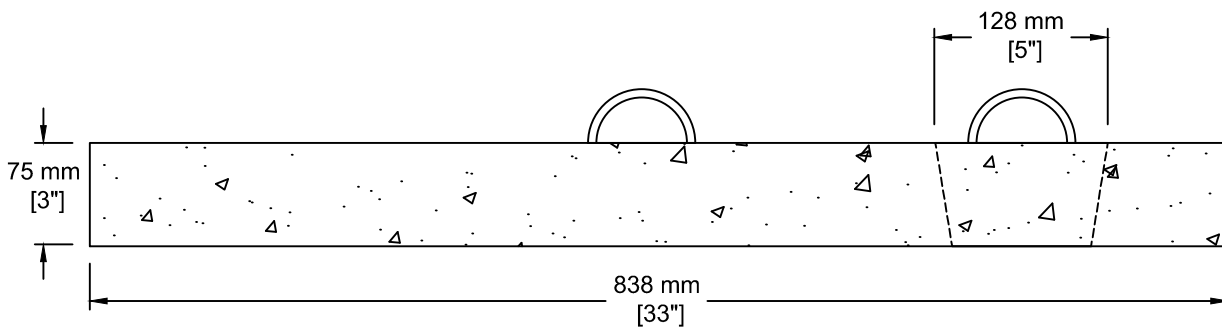


**INSTALLATION INFORMATION**

1 - 10 MM [3/8"] LIFTING HOOK

WEIGHT: 249 LBS / 113 KG



TEL: 250-495-7556  
socp@socp.ca  
www.socp.ca

Box 419, 11602 - 115 st Osoyoos, BC V0H 1V0

FAX: 250-495-3556

**685 ID (27") Well Tile Lid  
- P c/w Insp Plug**

**Product #**

**0221-P**