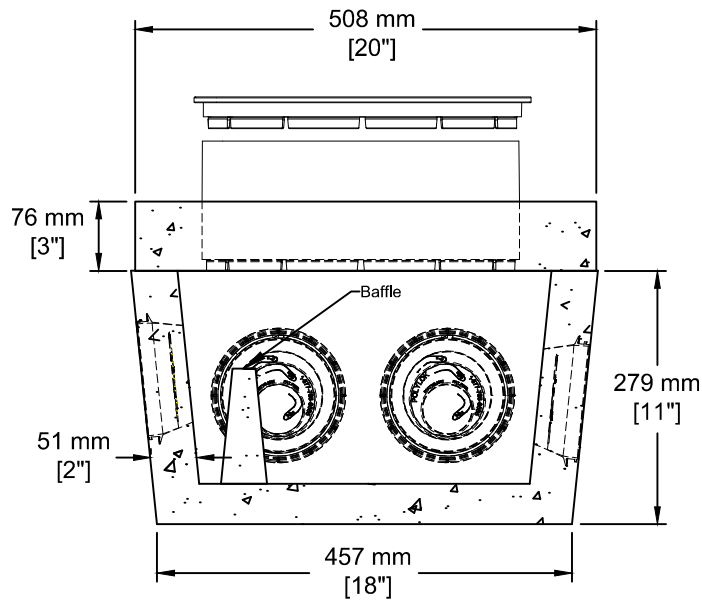


INSTALLATION INFORMATION

1-INLET / 6-OUTLET

WEIGHT: 198 LBS / 90 KG



TEL: 250-495-7556
 socp@socp.ca
 www.socp.ca

Box 419, 11602-119 St. Okanogan, BC V0H 1V0 FAX: 250-495-3556

**7 Hole Distribution Box & Lid
 /c 12" PolyRiser & Cover**

**Product #
 0172**