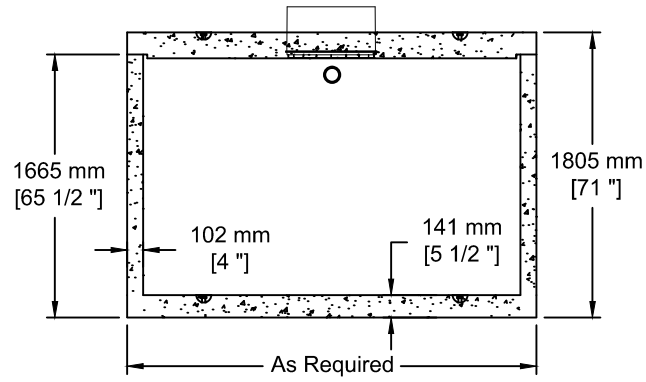
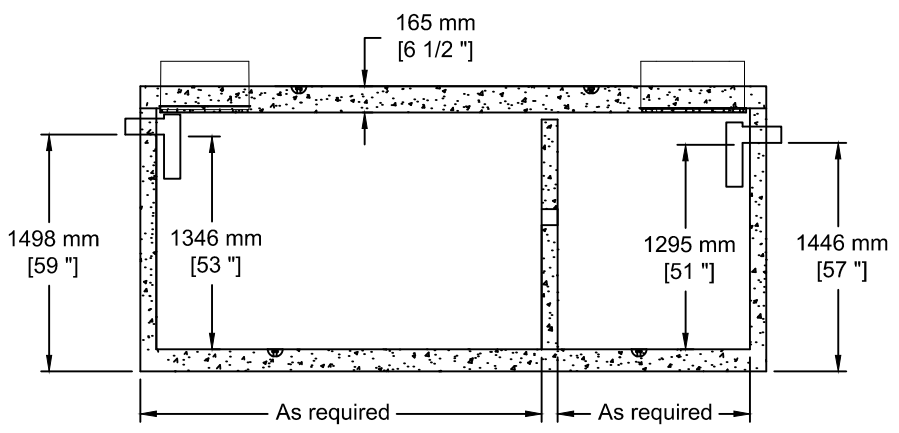


**INSTALLATION INFORMATION**

- 4 - 5T DOGBONE STYLE LIFTING ANCHORS (LID)
- 4 - 5T DOGBONE STYLE LIFTING ANCHORS (TANK)
- GASKET: CONSEAL BUTYL SEALANT

**DESIGN SPECIFICATION**

RESIDENTIAL LOADING  
 BURIAL DEPTH - **NO GREATER THAN 1M**  
 MANUFACTURED IN ACCORDANCE WITH:  
 CSA A23.4, B-66  
 ASTM C1227



**SOC**  
 SOUTH OKANAGAN  
 CONCRETE PRODUCTS LTD

TEL: 250-495-7556  
 socp@socp.ca  
 www.socp.ca

Box 419, 11602 - 115 st Osoyoos, BC V0H 1V0 FAX: 250-495-3556

**TS-2Ch Custom 2-Compartment  
 Septic Tank**

**Product #  
 0130-C**