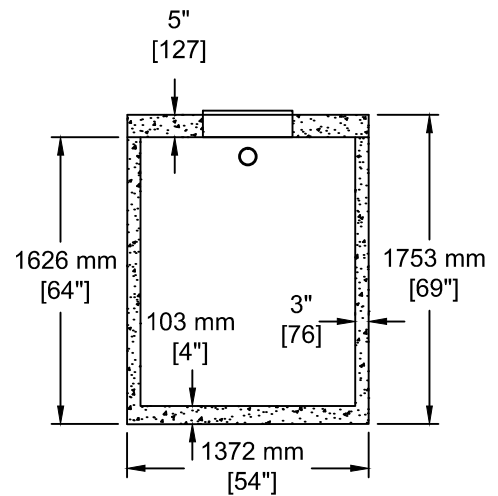
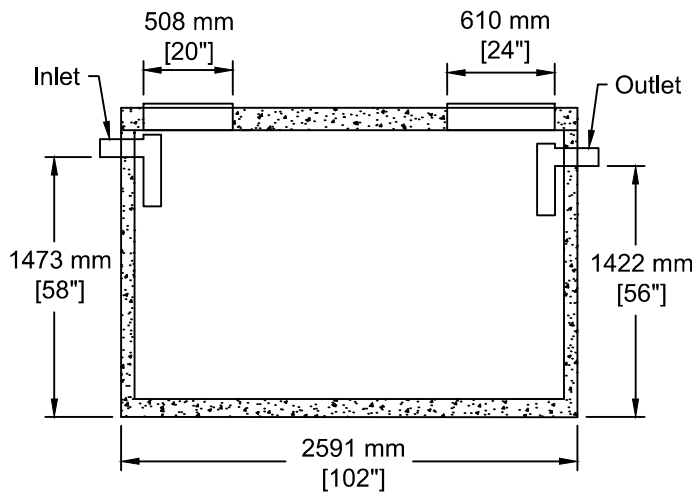


**INSTALLATION INFORMATION**

TANK - SPREADER BAR & CABLES FOR HANDLING  
 LID C/ 4 - 3/8" R-ANCHORS FOR HANDLING  
 GASKET: CONSEAL BUTYL SEALANT  
 WEIGHT: LBS / KG (LID)  
 WEIGHT: LBS / KG (TANK)

**DESIGN SPECIFICATION**

RESIDENTIAL LOADING  
 BURIAL DEPTH - **NO GREATER THAN 1M**  
 MANUFACTURED IN ACCORDANCE WITH: CSA A23.4, B-66  
 ASTM C1227



TEL: 250-495-7556  
 socp@socp.ca  
 www.socp.ca

TS-1Ch 3864 litres (850 Gal)  
 Septic Tank

Product #

0109