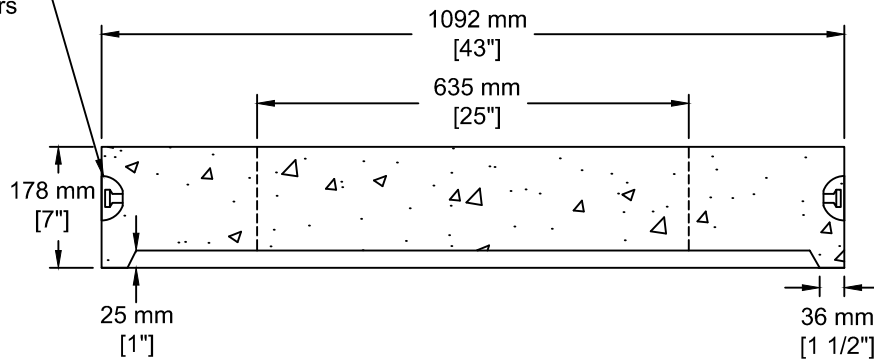


INSTALLATION INFORMATION

2 - 2.5T DOGBONE STYLE LIFTING ANCHORS

WEIGHT: 481 LBS / 218 KG

2.5T Dogbone style
Lifting Anchors



TEL: 250-495-7556
socp@socp.ca
www.socp.ca

Box 419, 11602 - 115 st Osoyoos, BC V0H 1V0

FAX: 250-495-3556

900 ID (36")
Manhole Lid - 635 mm Op

Product #

0316